

SURFACE MOUNTING JUNCTION BOXES

REFERENCE STANDARD: IEC 60670

- Made of self-extinguishing engineering plastic
- RAL 7035 grey
- Max. operating temperatures: -25°C+85°C
- Full insulation to EN 60439-1 (use with specially designed screw cover caps)



SURFACE MOUNTING JUNCTION BOXES

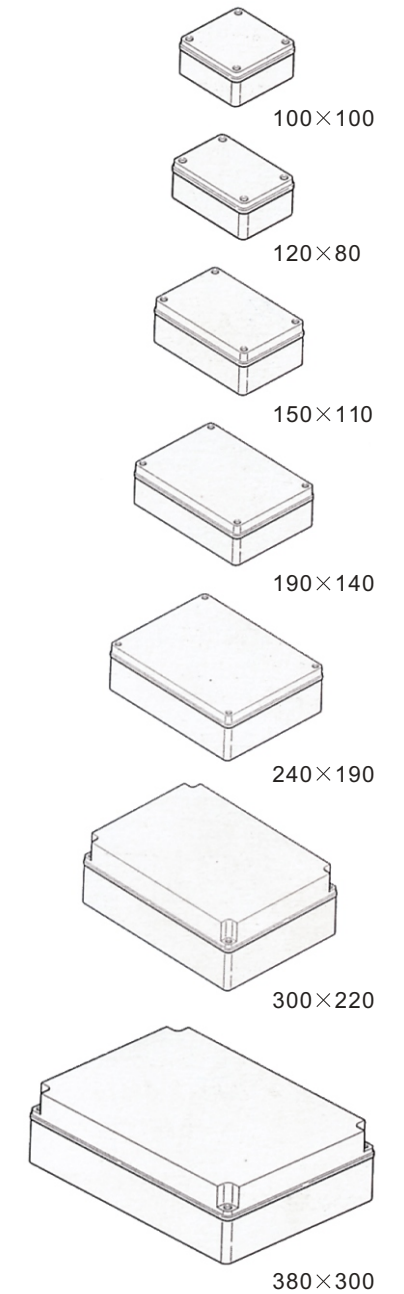
REFERENCE STANDARD: IEC 60670

- Made of self-extinguishing engineering plastic
- RAL 7035 grey
- Max. operating temperatures: -25°C+85°C
- Full insulation to EN 60439-1

BOX WITH CABLE SLEEVES- IP56 -With screw-down cover

INTERNAL DIMENSIONS (A x B x h)mm	FASTENING SCREWS
100 x 100 x 50	4
120 x 80 x 50	4
150 x 110 x 70 (-) ▲	4
150 x 150 x 70 (-) ▲	4
190 x 140 x 70 (-) ▲	4
240 x 190 x 90 (-) ▲	4
300 x 200 x 120 (-) ▲	4
380 x 300 x 120 (-) ▲	4
460 x 380 x 130 (-) ▲	6

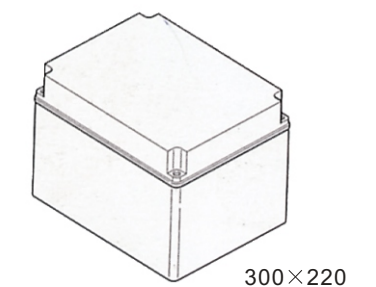
- (-) Optional wall mounting brackets
- ▲ Suitable for hinges mounting



HIGHER BOX WITH CABLE SLEEVES- IP56 -Screw-down cover

INTERNAL DIMENSIONS (A x B x h)mm	FASTENING SCREWS	PACK QTY
100 x 100 x 80	4	1/24
240 x 190 x 125	4	1/6
300 x 220 x 170	4	1/6
380 x 300 x 170 (-) ▲	4	1/3
460 x 380 x 130 (-) ▲	6	1

- (-) Optional wall mounting brackets
- ▲ Suitable for hinges mounting



SURFACE MOUNTING JUNCTION BOXES

REFERENCE STANDARD: IEC 60670

- Made of self-extinguishing engineering plastic
- RAL 7035 grey
- Max. operating temperatures: -25°C+85°C
- Full insulation to EN 60439-1



Ip44 series

BOX WITH CABLE SLEEVES

-With press-fit cover

INTERNAL DIMENSIONS (A x B x h)mm	NO. OF INLETS FOR	FASTENING SCREWS
∅ 65 x 35	4 ∅ 23mm PG 16	2
∅ 80 x 40	4 ∅ 23mm PG 16	2
80 x 80 x 40	6 ∅ 23mm PG 16	2

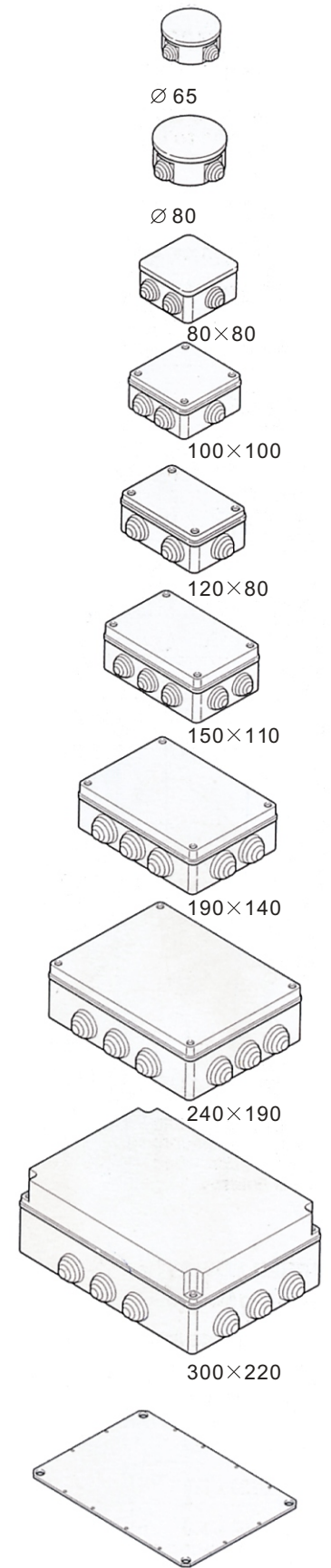
Ip56 series

BOX WITH CABLE SLEEVES

-With screw-down cover

INTERNAL DIMENSIONS (A x B x h)mm	NO. OF INLETS FOR	FASTENING SCREWS
100 x 100 x 50	6 ∅ 29mm PG 21	4
120 x 80 x 50	6 ∅ 29mm PG 21	4
150 x 110 x 70	10 ∅ 29mm PG 21(•) ▲	4
190 x 140 x 70	10 ∅ 38mm PG 16(•) ▲	4
240 x 190 x 90	12 ∅ 38mm PG 16(•) ▲	4
300 x 200 x 120	12 ∅ 38mm PG 16(•) ▲	4
380 x 300 x 120	12 ∅ 48mm PG 16(•) ▲	4
460 x 380 x 130	14 ∅ 48mm PG 16(•) ▲	6

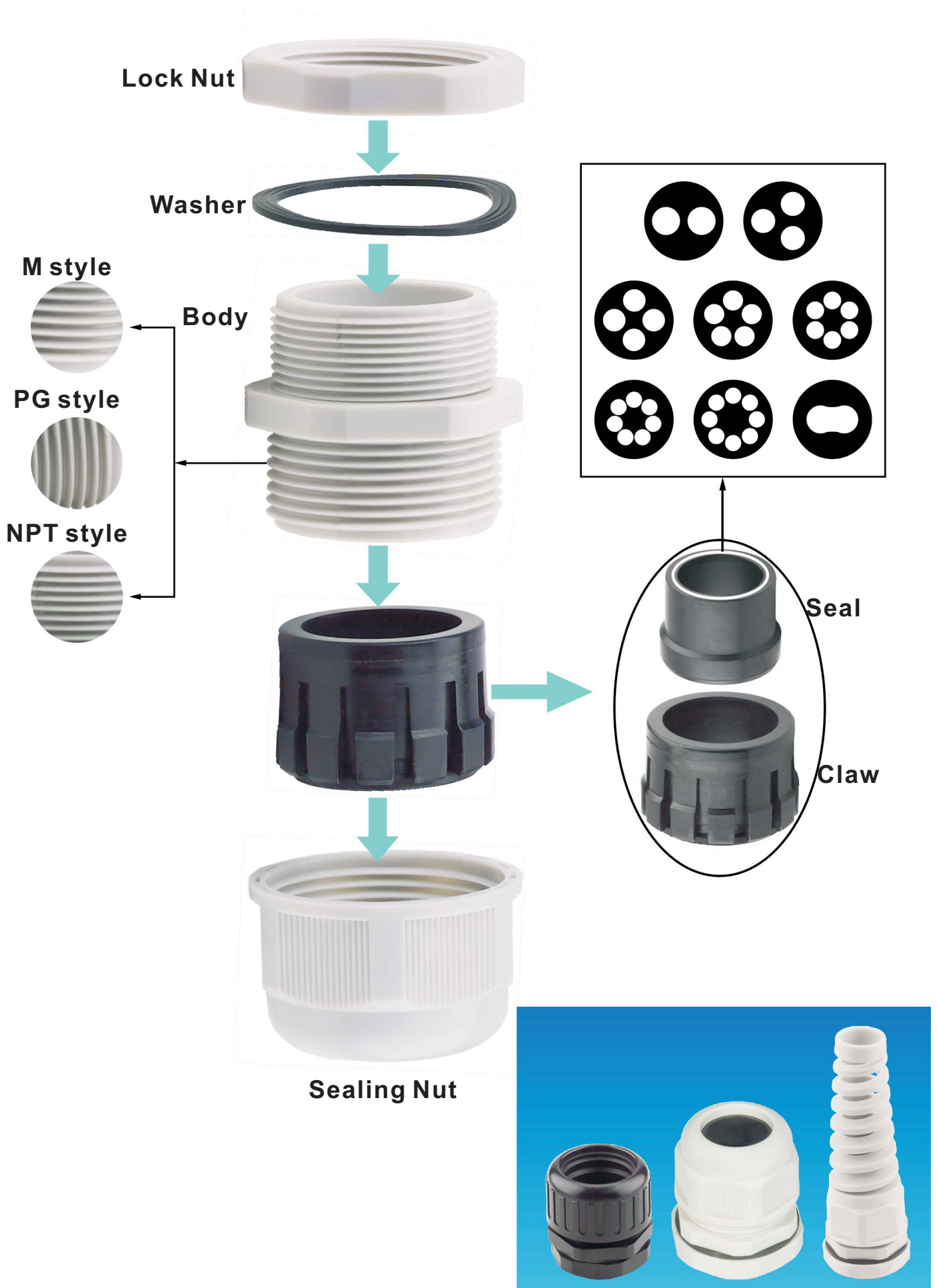
Optional wall mounting brackets
▲ Suitable for hinges mounting



ACCESSORIES

	BOX (mm)	DIMENSIONS (A x B)mm	FASTENING SCREWS
Mounting plate	194 x 140	176 x 126 x 1,5	4
	240 x 190	226 x 176 x 1,5	4
	300 x 220	284 x 173 x 1,5	4
	380 x 300	358 x 252 x 1,5	4
	460 x 380		
12 Sealing caps	For providing full insulation according to EN 60439-1		
Sealing kit	100 x 100-120 x 80-150 x 110		
Hinges kit (3 pieces)	190 x 140-240 x 190-300 x 220-380 x 300		

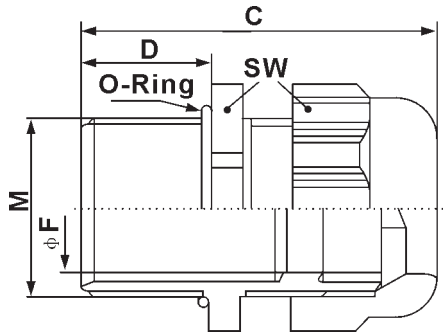
Plastic Glands



Metric connection thread

DBSPM

The cable gland is manufactured from polyamide. It features metric thread, and is very easy to assemble. It is intended for very general applications such as various electrical and mechanical equipments, controlling and automation, and manufacturing devices.



Technical Data	Temperature range	Protection class	Material	Standard colour
DBSPM	Static : -40°C to +100°C Dynamic : -20°C to +80°C	IP 68-5 bar	Body : Polyamide Sealing : Neoprene	RAL 7001 silver grey RAL 9005 black

Seal hole	Threaded entry M	Cat .No	Clamping range mm	Wrench size mm	C mm	D mm	Packing unit pieces
	M12×1.5	DBSPMNN-12	3.5-7	15	30	8	100
	M16×1.5	DBSPMNN-16	4.5-10	19	34	8	100
	M20×1.5	DBSPMNN-20	7-13	25	37	9	100
	M25×1.5	DBSPMNN-25	9-17	30	40	10	50
	M32×1.5	DBSPMNN-32	11-21	36	47	10	25
	M40×1.5	DBSPMNN-40	19-28	46	52	10	10
	M50×1.5	DBSPMNN-50	27-35	55	62	12	5
M63×1.5	DBSPMNN-63	34-45	66	71	12	5	

Seal hole	Threaded entry M	Cat .No	Clamping range mm	Wrench size mm	C mm	D mm	Packing unit pieces
	M12×1.5	DBSPMY2D-12	3.5-7	15	30	8	100
	M16×1.5	DBSPMY2D-16	4.5-10	19	34	8	100
	M20×1.5	DBSPMY2D-20	7-13	25	37	9	100
	M25×1.5	DBSPMY2D-25	9-17	30	40	10	50
	M32×1.5	DBSPMY2D-32	11-21	36	47	10	25
	M40×1.5	DBSPMY2D-40	19-28	46	52	10	10
	M50×1.5	DBSPMY2D-50	27-35	55	62	12	5
M63×1.5	DBSPMY2D-63	34-45	66	71	12	5	

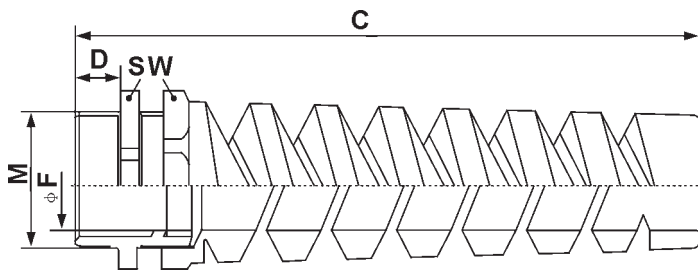
Seal hole	Threaded entry M	Cat .No	Clamping range mm	Wrench size mm	C mm	D mm	Packing unit pieces
	M12×1.5	DBSPMY3D-12	3.5-7	15	30	8	100
	M16×1.5	DBSPMY3D-16	4.5-10	19	34	8	100
	M20×1.5	DBSPMY3D-20	7-13	25	37	9	100
	M25×1.5	DBSPMY3D-25	9-17	30	40	10	50
	M32×1.5	DBSPMY3D-32	11-21	36	47	10	25
	M40×1.5	DBSPMY3D-40	19-28	46	52	10	10
	M50×1.5	DBSPMY3D-50	27-35	55	62	12	5
M63×1.5	DBSPMY3D-63	34-45	66	71	12	5	

Plastic cable glands

■ Bending protection

● DAPPM

This device prevents bending of cables, thus eliminates movement of cables around the device it goes on. This is a very important safety feature for devices with moving or revolving parts, and it is crucial in order for the setup to operate in many cases. It can also be seen used on numbers of handheld devices. The spiral guards featured on this cable gland further prevents conductor break, thus reduces chance of failure.



Technical Data	Temperature range	Protection class	Material	Standard colour
DAPPM	-20°C to +80°C	IP 68-5 bar	Body : Polyamide Sealing : Neoprene	RAL 7001 silver grey

Seal hole	Threaded entry M	Cat .No	Clamping range mm	Wrench size mm	C mm	D mm	Packing unit pieces
	12×1.5	DAPPMY7D-12	3.5-7	15	64	8	100
	16×1.5	DAPPMY7D-16	4.5-10	19	86	8	100
	20×1.5	DAPPMY7D-20	7-13	25	101	8	50
	25×1.5	DAPPMY7D-25	9-17	30	125	9	25
	32×1.5	DAPPMY7D-32	11-21	36	149	10	25

Seal hole	Threaded entry M	Cat .No	Clamping range mm	Wrench size mm	C mm	D mm	Packing unit pieces
	12×1.5	DAPPMY8D-12	3.5-7	15	64	8	100
	16×1.5	DAPPMY8D-16	4.5-10	19	86	8	100
	20×1.5	DAPPMY8D-20	7-13	25	101	8	50
	25×1.5	DAPPMY8D-25	9-17	30	125	9	25
	32×1.5	DAPPMY8D-32	11-21	36	149	10	25

Seal hole	Threaded entry M	Cat .No	Clamping range mm	Wrench size mm	C mm	D mm	Packing unit pieces
	12×1.5	DAPPMLD-12	3.5-7	15	64	8	100
	16×1.5	DAPPMLD-16	4.5-10	19	86	8	100
	20×1.5	DAPPMLD-20	7-13	25	101	8	50
	25×1.5	DAPPMLD-25	9-17	30	125	9	25
	32×1.5	DAPPMLD-32	11-21	36	149	10	25

Protective conduit system made of plastic

NASPM

The conduit connector is a safety connector . Fitting the inner and outer sleeves can only be done when it is fitted in the correct sequence , which is a crucial safety element in many cases . The inner sleeve features a conduit thread that provides additional protection for conduit cables , protecting the conduit ends . The plastic sealing rings provides an excellent seal . Increased width across flats transmits the force used during assembly . It also resists tension and vibration . All this means a high quality connector between conduit and machine , along with a very easy assembly process .



Technical Data	Temperature range	Protection class	Material	Standard colour
NASPM	-10°C to +110°C	IP 65	Polypropylene	RAL 7001 , silver grey

Threaded entry M	Cat .No	Wrench size 1/2mm	Width F	C mm	D mm	Packing unit pieces
10×1.5	NASPMNN-10	16/18	6.0	40	10	50
12×1.5	NASPMNN-12	21/23	9.0	43	12	50
16×1.5	NASPMNN-16	24/27	13.0	43	12	50
20×1.5	NASPMNN-20	29/32	14.5	44	13	50
25×1.5	NASPMNN-25	36/40	19.5	50	13	25
32×1.5	NASPMNN-32	45/49	27.0	51	15	25
40×1.5	NASPMNN-40	53/58	36.0	51	15	25
50×1.5	NASPMNN-50	65/70	46.0	58	16	10

NBSPM

This conduit gland is consisted of a rotatable upper part and a integral inner sleeve . It features a easy to grip outer surface , and metric connecting thread with hexagonal section . Once the upper part is screwed in , the protective conduit is tension free in the connector , meeting the requirements of VDE 0100 and 0113 . Inner surface is smooth and not damaging for the cable . The upper part allows independent swivelling for fitting.



Technical Data	Temperature range	Protection class	Material	Standard colour
NBSPM	-10°C to +110°C	IP 55	Polypropylene	RAL 7001 , silver grey

Threaded entry M	Cat .No	Wrench size mm	Boring mm	Overall length mm	Thread length mm	Packing unit pieces
12×1.5	NBSPMNN-12	16	5.5	38.0	10	50
16×1.5	NBSPMNN-16	19	9.5	39.5	10	50
20×1.5	NBSPMNN-20	22	11.5	42.0	10	50
25×1.5	NBSPMNN-25	27	14.5	48.0	11	50
32×1.5	NBSPMNN-32	35	19.5	58.0	12	25
40×1.5	NBSPMNN-40	45	27.0	59.0	12	25
50×1.5	NBSPMNN-50	54	35.5	62.5	12	25
63×1.5	NBSPMNN-63	65	46.0	68.0	15	10

Assignment Conduit - Conduit Gland

■ PVC spiral conduit system with plastic spiral

● NDSPM

The connectors are consisted of a cap nut , clamping seal , centre section , internal shoulder , and counter nut . Pushing the cap nut on the conduit makes the conduit connection . The clamping seal is places 1 length behind the end of the conduit , letting it projects from the centre section during preliminary sealing . The conduit is now fed into the centre section and the cap nut screwed on firmly .



Technical Data	Temperature range	Protection class	Material	Standard colour
NDSPM	-20°C to +60°C	IP 53	Body : Polypropylene Seal : Polyamide	RAL 7001 , silver grey

Threaded entry M	Cat .No	Drill mm	Packing unit pieces
12×1.5	NDSPMNN-12	8.0	50
16×1.5	NDSPMNN-16	10.0	50
20×1.5	NDSPMNN-20	13.5	50
25×1.5	NDSPMNN-25	17.5	50
32×1.5	NDSPMNN-32	21.0	25
40×1.5	NDSPMNN-40	32.0	25
50×1.5	NDSPMNN-50	35.5	25
63×1.5	NDSPMNN-63	47.5	25

● NAEPM

The connectors are consisted of a cap nut , clamping seal , centre section , internal shoulder , and counter nut . Pushing the cap nut on the conduit makes the conduit connection . The clamping seal is places 1 length behind the end of the conduit , letting it projects from the centre section during preliminary sealing . The conduit is now fed into the centre section and the cap nut screwed on firmly .



Technical Data	Temperature range	Protection class	Material	Standard colour
NAEPM	-20°C to +60°C	IP 53	Body : Polypropylene Seal : Polyamide	RAL 7001 , silver grey

Threaded entry M	Cat .No	Boring mm	Packing unit pieces
12×1.5	NAEPMNN-12	10	50
16×1.5	NAEPMNN-16	12	50
20×1.5	NAEPMNN-20	16	50
25×1.5	NAEPMNN-25	20	50
32×1.5	NAEPMNN-32	25	50
40×1.5	NAEPMNN-40	32	25